

Compact Weather Stations

Add-on module for Cirrus Research's Quantum Outdoor Environmental monitor

Cirrus Research has partnered with Gill Instruments Ltd, experts in weather stations, to offer you the best solution for weather monitoring. Two versions are available, the GMX200 and GMX600, both integrate directly with the Quantum Outdoor remote noise monitor and give you access to the weather data you need via the Quantum portal 24/7, on any device anywhere in the world.

GMX200 Compact Weather Station

Wind. Wind speed and direction measurements are provided via an ultrasonic sensor and the addition of an electronic compass provides apparent wind measurements. Average speed and direction together with WMO averages and gust data is also provided.

GMX600 Compact Weather Station

Includes **Wind** measurement as for the GMX200, plus the following:

Temperature, humidity, pressure. A combined instrument mounted inside three double louvered, naturally aspirated radiation shields with no moving parts. The results are high performance across each measurement over long periods of time.

Precipitation. An integrated optical rain gauge that automatically senses water hitting its outside surface and provides measurements based on the size and numbers of drops. Algorithms interpret this data and simulate the output of a tipping bucket rain gauge in a serial format. The optical rain gauge has **no moving parts** associated with tipping bucket gauges.



GMX200



GMX600

All MaxiMet Models Feature

- Quality measurements
- Lightweight and robust
- Low power mode
- Free of charge software
- Gill proven reliability
- Compact Integrated design
- Real time output
- Easy installation
- Gill customer support
- 2-year warranty

Wind (GMX200 & GMX600)	Temp, Humidity, pressure (GMX600 only)	Precipitation (GMX600 only)	Parameters
GMX200 <ul style="list-style-type: none"> ■ Wind speed & direction ■ WMO wind averages and gust ■ Compass ■ OHMF PG 5JMU 	<ul style="list-style-type: none"> ■ Air Pressure / Temperature ■ Relative / Absolute humidity ■ Naturally aspirated UV stable Radiation shield ■ Protection against wind-blown precipitation/dust 	<ul style="list-style-type: none"> ■ Rainfall total ■ Rainfall intensity ■ Rainfall Y/N ■ Emulated tipping bucket ■ Integrated heater ■ No moving parts 	<ul style="list-style-type: none"> ■ Temperature: °C / °F / °K ■ Relative humidity: % Rh ■ Barometric pressure: hPa, bar, mm, Hg, In Hg ■ Absolute humidity: g/m3 ■ Air density: kg/m3 ■ Precipitation: mm/hr ■ Wet bulb temperature: °C / °F / °K ■ Wind speed: m/s ■ Wind direction: ° ■ True/apparent wind ■ Angle of tilt

Applications

- Building and industrial controls
 - Local authorities
- Transport
 - Coastal & Agricultural
 - Safety
- Educational
 - Commercial
 - Energy

Product specifications

Wind speed

Range	0.01 m/s to 60 m/s
Accuracy	± 3% to 40 m/s, ± 5% to 60 m/s
Resolution m/s	0.01
Starting threshold	0.01 m/s
Sampling Rate	1 Hz
Units	m/s, km/hr, mph

Wind direction

Range	0-359°
Accuracy	± 3° to 40 m/s ± 5° to 60 m/s
Resolution	1°
Starting threshold	0.05 m/s
Sampling Rate	1 Hz
Units	Degrees

Temperature (GMX600)

Range	-40°C to +70°C
Resolution	0.1
Accuracy	± 0.3°C @ 20°C
Sampling rate	1 Hz
Units	°C / °F / °K

Humidity (GMX600)

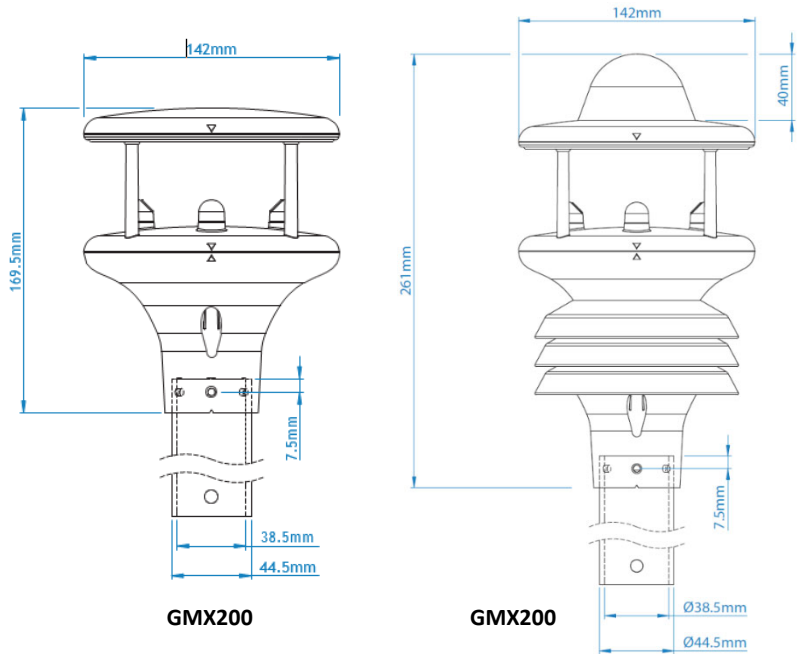
Range	0-100%
Resolution	1%
Accuracy	± 2% @ 20°C (10%-90% RH)
Sampling rate	1 Hz
Units	% Rh, g/m ³

Dew point (GMX600)

Range	-40°C to +70°C
Resolution	0.1
Accuracy	± 0.3°C @ 20°C
Sampling rate	1 Hz
Units	°C / °F / °K

Pressure (GMX600)

Range	300-1100 hPa
Resolution	0.1hPa
Accuracy	± 0.5 hPa @ 25°C
Sampling rate	1 Hz
Units	hPa, mbar, mmHg, inHg



Precipitation (GMX600)

Measurement type	Optical
Range	0 to >300 mm/hr
Precipitation resolution	0.08 mm (customer selectable)
Repeatability	3%
Sampling rate	1 Hz
Units	mm/hr, mm/total, in/hr, in/total
Heating	YES

Environmental conditions

IP Rating	66
Operational Temp.	-35°C to +70°C
Range	
EMC Standard:	BS EN 61326-2-1:2013 FCC, CFR Title 47, Part 15, Subpart B, Class A digital device
CE Marking	YES
RoHS compliant	YES
Weight	0.5kg (GMX200) 0.8kg (GMX600)
Origin	UK

For our full range visit
cirrusresearch.com

Email: sales@cirrusresearch.com
Website: www.cirrusresearch.com
Telephone: +44 (0)1723 891 655



A Scientific Measurements
Pte Ltd company



Cirrus Research, Acoustic House, Hunmanby, Bridlington Road, North Yorkshire, YO14 0PH, United Kingdom